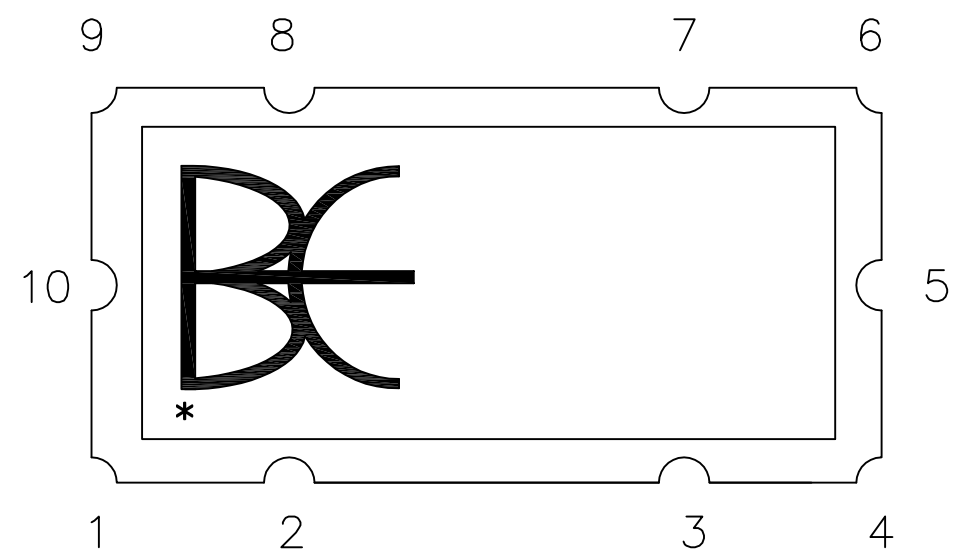
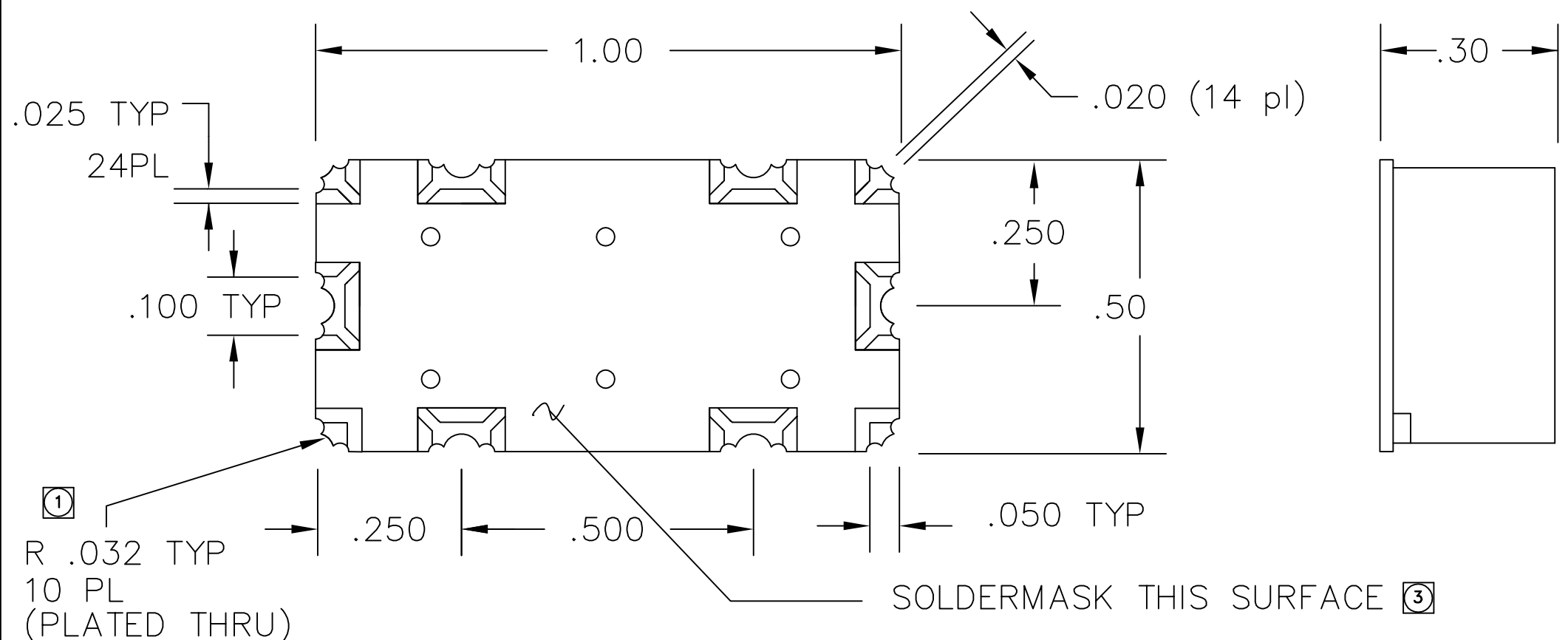


REVISIONS			
REV	DESCRIPTION	DATE	APPROVED
1	Re Draw on CAD	12/18/03	BE
2	Add Finish	12/02/08	BE
3	Add Note 3	6/3/09	



CONTACT I/O
(TOP VIEW)

- ① Location of plated thru holes are to be held at +/- .005.
- ② Contact 2- RF OUT
Contact 1- RF IN
- ③ Solder Mask: SR1000, LPI or equivalent.

THE INFORMATION CONTAINED IN THIS DRAWING IS THE SOLE PROPERTY OF BREE ENGINEERING. ANY REPRODUCTION IN PART OR WHOLE WITHOUT THE WRITTEN PERMISSION OF BREE ENGINEERING IS PROHIBITED.

UNLESS OTHERWISE SPECIFIED DIMENSIONS ARE IN INCHES & TOLERANCES ARE: .XXX .XX ANGLES ±.005 ±.01	CAD GENERATED DRAWING DO NOT MANUALLY UPDATE		BEE BREE ENGINEERING
	DWN BE	DATE 7/13/01	
MATERIAL PCB-FR4	CHK		<h1>OUTLINE</h1>
	RESP ENG		
	MFG ENG		
FINISH Gold/Soldermask	QUAL ENG		SIZE CAGE CODE DWG NO B 1K3H5 700059
	Scale for REFERENCE ONLY		REV 3
SCALE 4:1			SHEET 1 OF 1