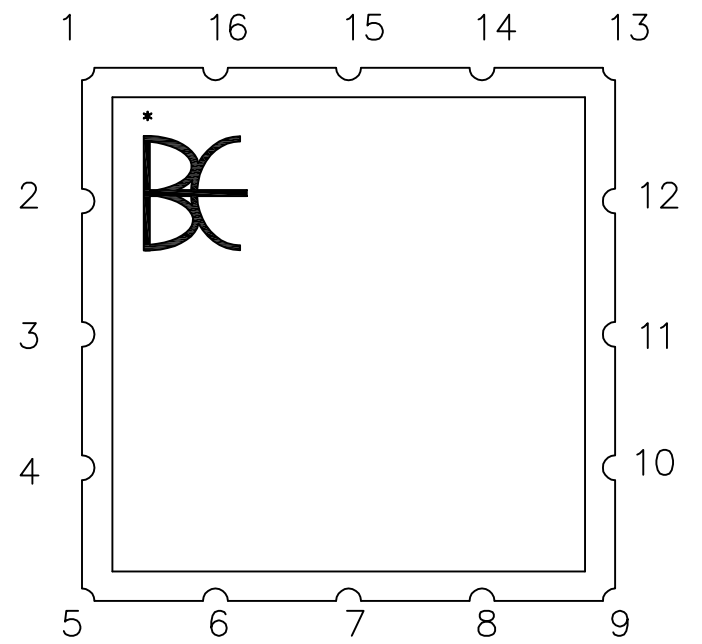
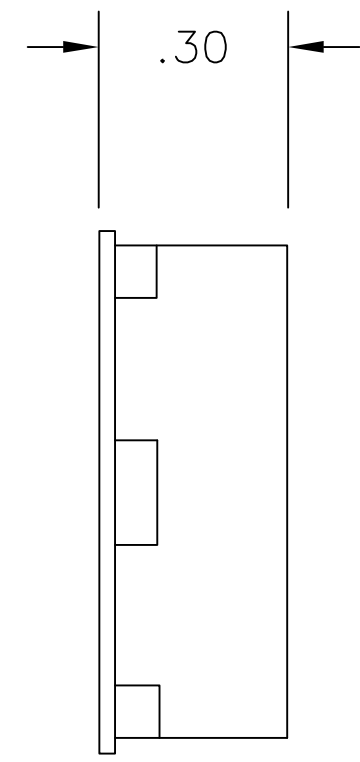
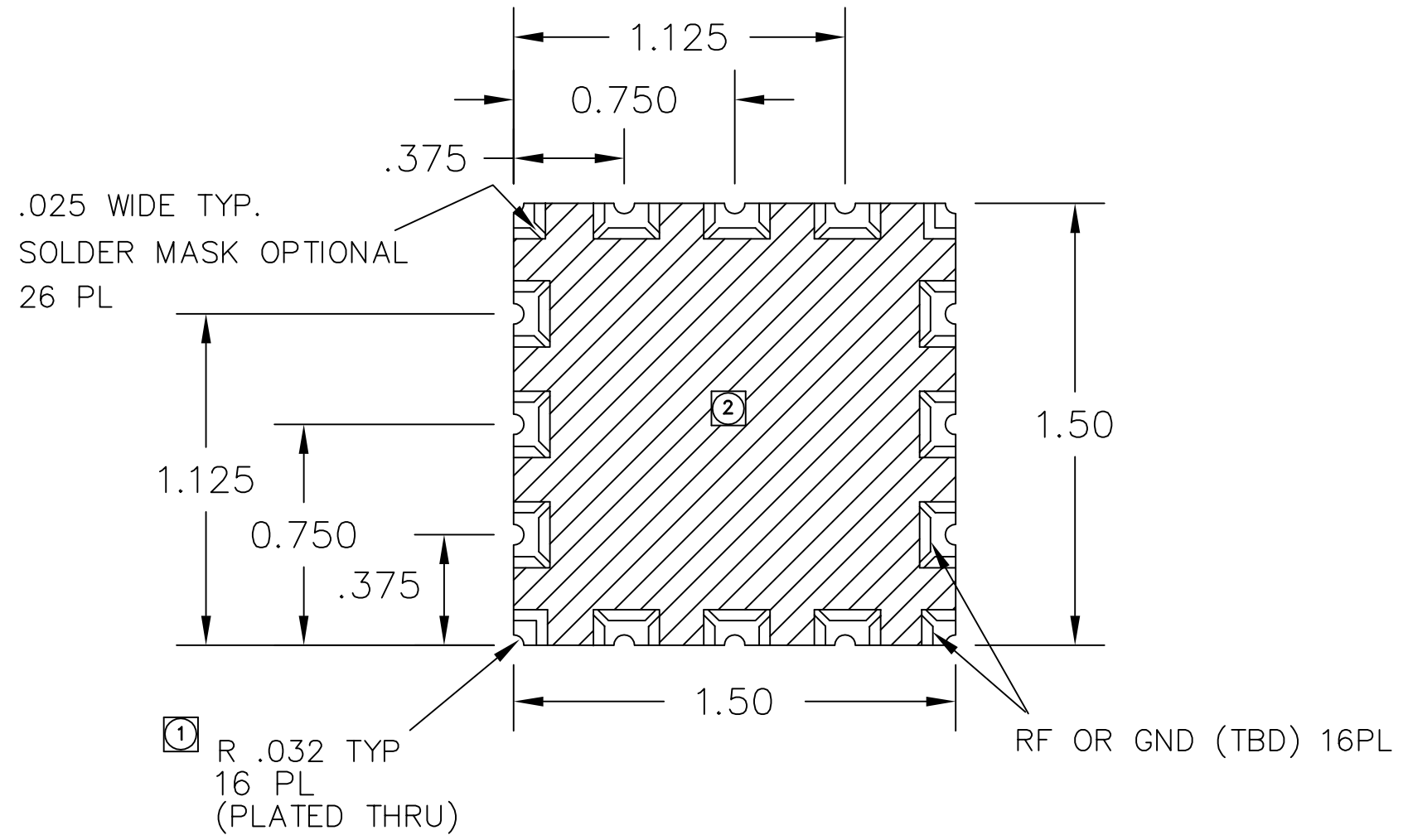


REVISIONS			
REV	DESCRIPTION	DATE	APPROVED



CONTACT I/O
(TOP VIEW)

- ② Solder Mask: SR1000, LPI or equivalent.
- ① Location of plated thru holes are to be held at +/- .005.

THE INFORMATION CONTAINED IN THIS DRAWING IS THE SOLE PROPERTY OF BREE ENGINEERING. ANY REPRODUCTION IN PART OR WHOLE WITHOUT THE WRITTEN PERMISSION OF BREE ENGINEERING IS PROHIBITED.

UNLESS OTHERWISE SPECIFIED DIMENSIONS ARE IN INCHES & TOLERANCES ARE: .XXX .XX ANGLES ±.005 ±.01	CAD GENERATED DRAWING DO NOT MANUALLY UPDATE		BREE ENGINEERING
	DWN BE	DATE 08-30-01	
MATERIAL PCB-FR4 / NICKEL	CHK	RESP ENG	OUTLINE
	MFG ENG		
	QUAL ENG		
MATERIAL N/A	Scale for REFERENCE ONLY	SIZE CAGE CODE DWG NO B 1K3H5 700062	REV -
		SCALE 2:1	SHEET 1 OF 1