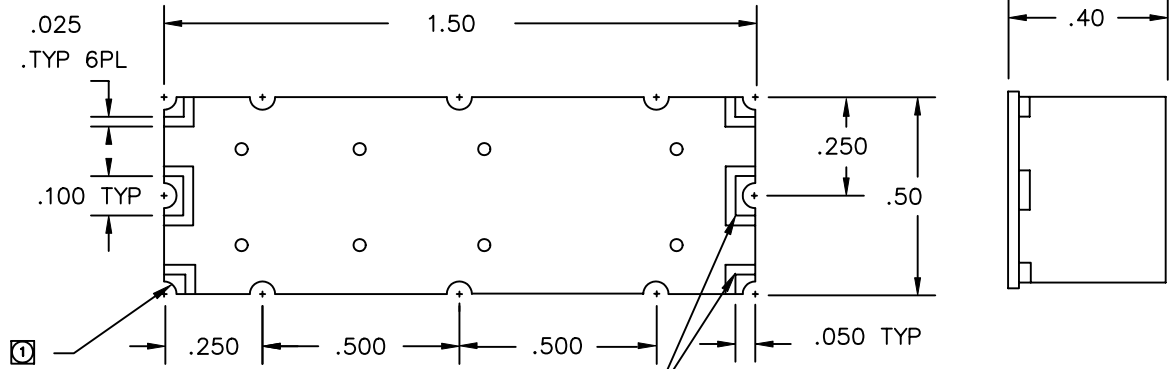


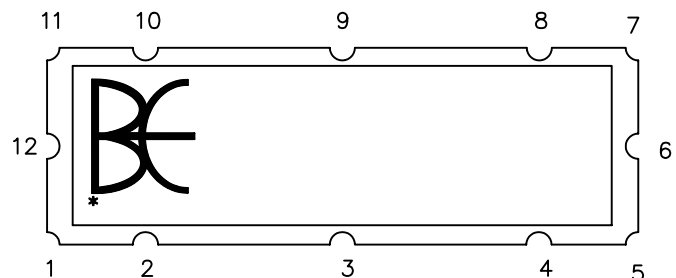
CAGE DWG NO 700020
 1K3H5 B 1

REVISIONS			
REV	DESCRIPTION	DATE	APPROVED
A	ADD I/O	02-09-00	BE
B	CAD DRAWING	03-04-00	BE



① R .032 TYP
 12 PL
 (PLATED THRU)

RF OR GND (TBD) 6 PL



CONTACT I/O
 (TOP VIEW)

① Location of plated thru holes are to be held at +/- .005.

THE INFORMATION CONTAINED IN THIS DRAWING IS THE SOLE PROPERTY OF BREE ENGINEERING. ANY REPRODUCTION IN PART OR WHOLE WITHOUT THE WRITTEN PERMISSION OF BREE ENGINEERING IS PROHIBITED.

UNLESS OTHERWISE SPECIFIED DIMENSIONS ARE IN INCHES & TOLERANCES ARE:		CAD GENERATED DRAWING DO NOT MANUALLY UPDATE		BEE BREE ENGINEERING	
JOCS ±.005	XX ±.01	ANGLES	DRN BE	DATE 11-24-99	OUTLINE
MATERIAL PCB-FR4 / NICKEL	CHK	RESP ENG	MFG ENG	QUAL ENG	
MATERIAL M/A	Scale for REFERENCE ONLY		SIZE B	CAGE CODE 1K3H5	
			DWG NO 700020	REV B	
			SCALE 4:1	SHEET 1 OF 1	