

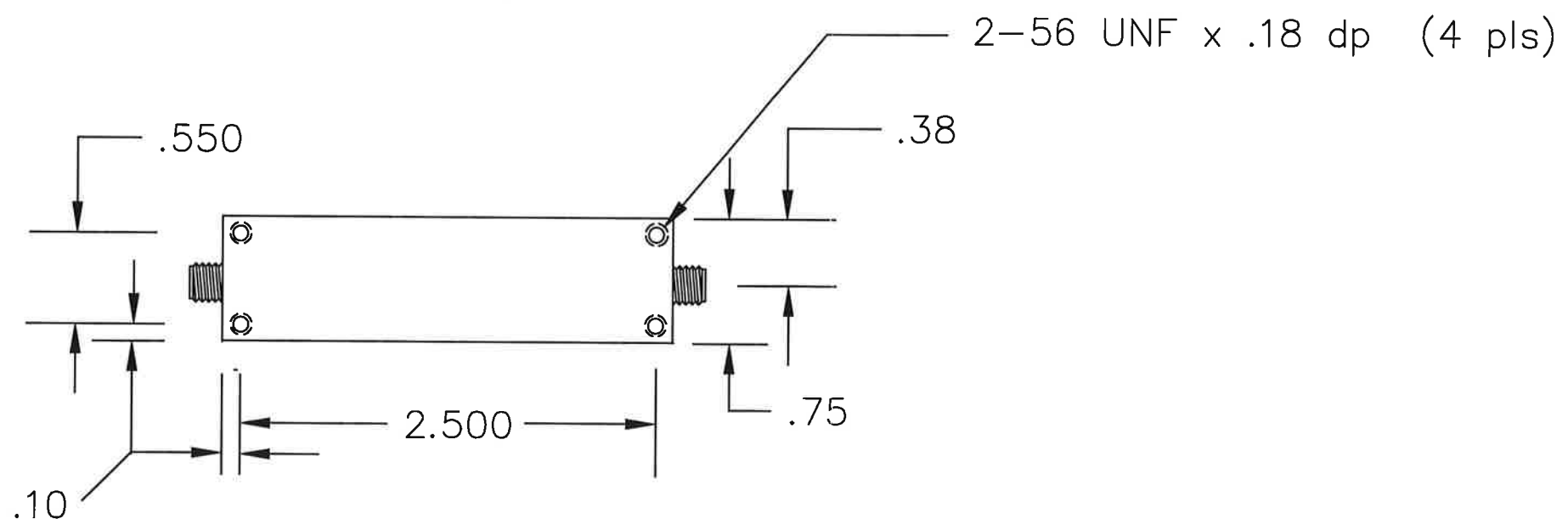
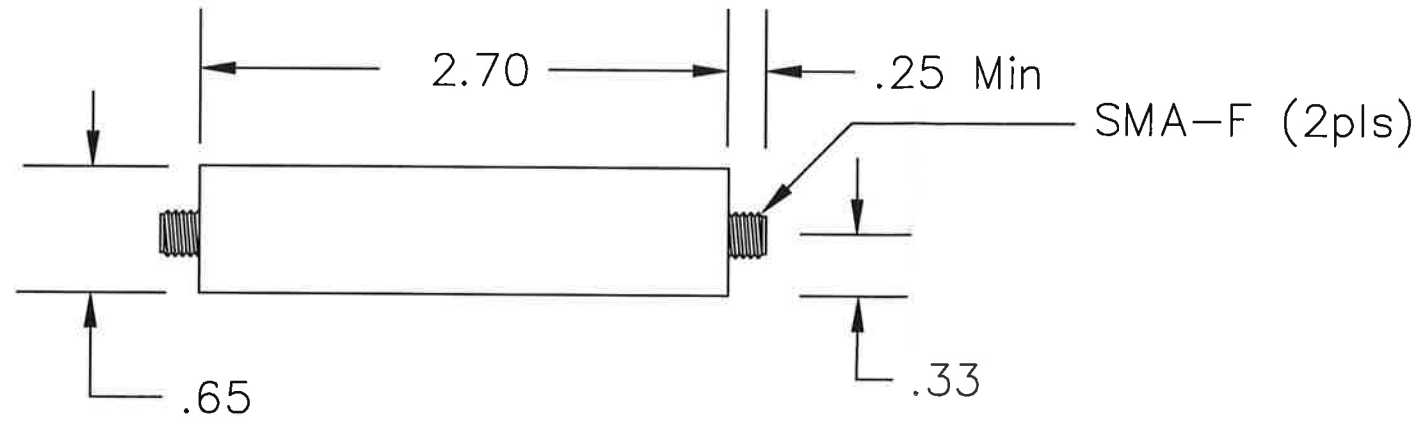
4

3

2

CAGEC 1K3H5 DWG NO 700004 SH 1 REV 1

REVISIONS			
REV	DESCRIPTION	DATE	APPROVED
1	Re-Draw on CAD	12/10/01	<i>[Signature]</i>



UNLESS OTHERWISE SPECIFIED DIMENSIONS ARE IN INCHES & TOLERANCES ARE: .XXX .XX ANGLES ±.005 ±.01	CAD GENERATED DRAWING DO NOT MANUALLY UPDATE		BREE ENGINEERING	
	DWN BE	DATE		
	CHK	5/10/99		
	RESP ENG	5/10/99		
FINISH Paint	MFG ENG		OUTLINE	
	QUAL ENG			
	Scale for REFERENCE ONLY			
SCALE	SIZE B	CAGE CODE 1K3H5	DWG NO 700004	REV 1
				SHEET 1 OF 1

THE INFORMATION CONTAINED IN THIS DRAWING IS THE SOLE PROPERTY OF BREE ENGINEERING. ANY REPRODUCTION IN PART OR WHOLE WITHOUT THE WRITTEN PERMISSION OF BREE ENGINEERING IS PROHIBITED.

4

3

2

1