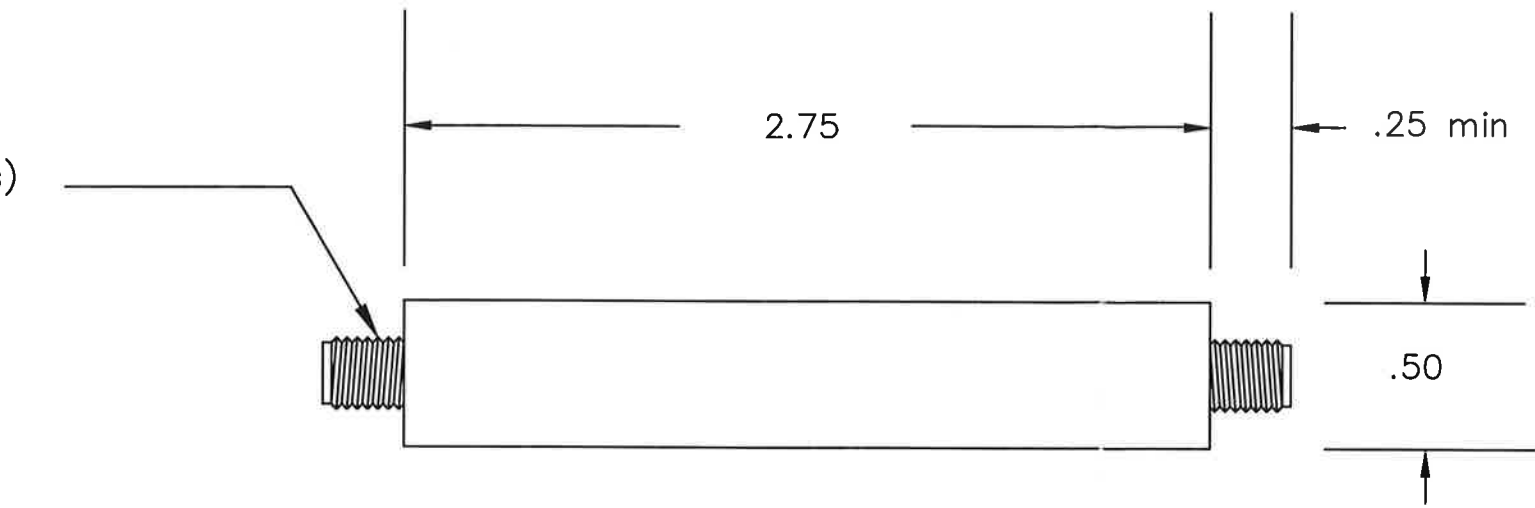


REVISIONS			
REV	DESCRIPTION	DATE	APPROVED
1	Re-Draw on Cad	1/9/03	<i>BE</i>

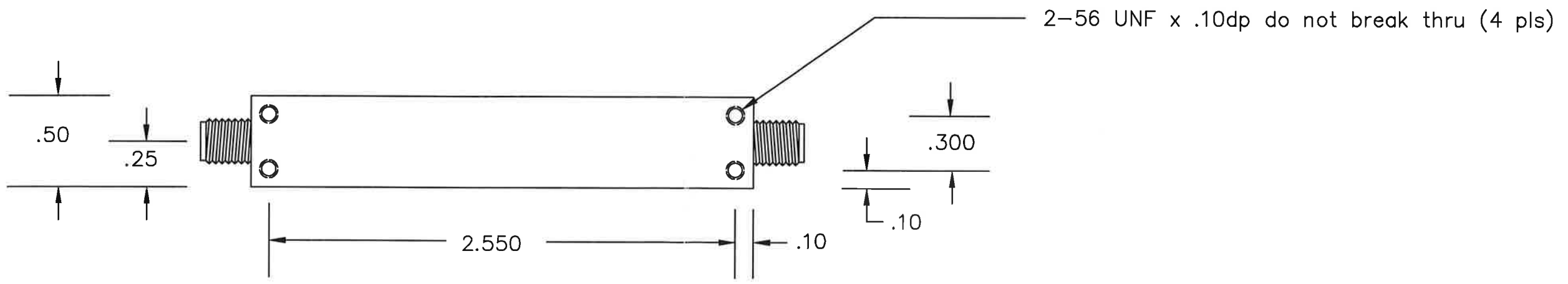
B

SMA F (2 pls)



B

A



A

THE INFORMATION CONTAINED IN THIS DRAWING IS THE SOLE PROPERTY OF BREE ENGINEERING. ANY REPRODUCTION IN PART OR WHOLE WITHOUT THE WRITTEN PERMISSION OF BREE ENGINEERING IS PROHIBITED.

UNLESS OTHERWISE SPECIFIED DIMENSIONS ARE IN INCHES & TOLERANCES ARE: .XXX ±.005 .XX ±.01 ANGLES	CAD GENERATED DRAWING DO NOT MANUALLY UPDATE		
	DWN BE	DATE 5/23/99	
MATERIAL Alum	CHK		<h1>OUTLINE</h1>
	RESP ENG		
FINISH Paint	MFG ENG		SIZE B
	QUAL ENG		CAGE CODE 1K3H5
Scale for REFERENCE ONLY			DWG NO 700009
			REV 1
			SCALE N/A
			SHEET 1 OF 1