

4

3

2

CAGEC
1K3H5

DWG NO

700074

SH

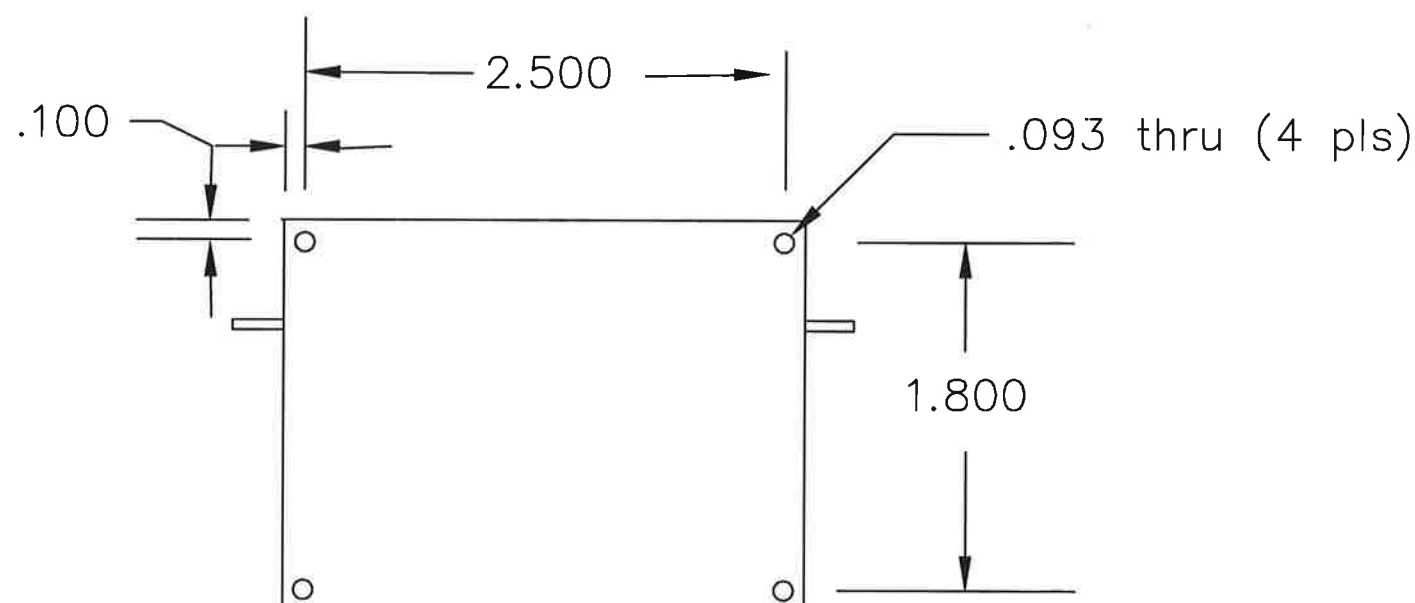
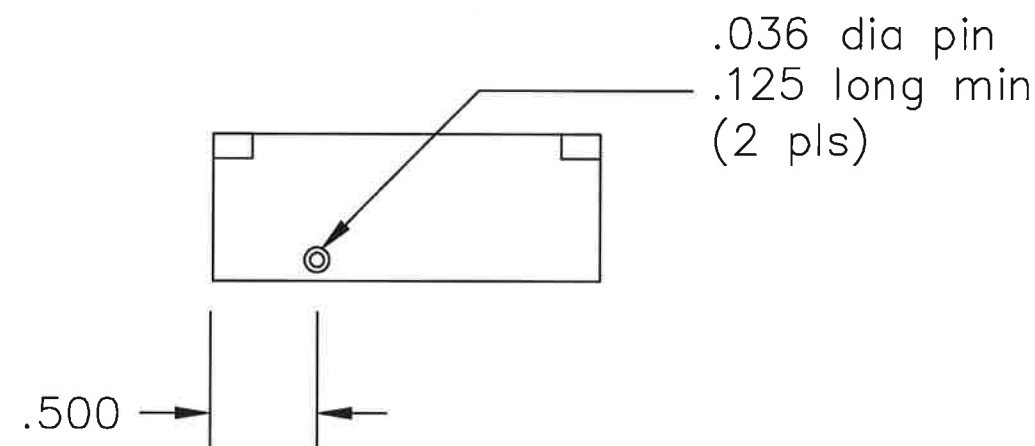
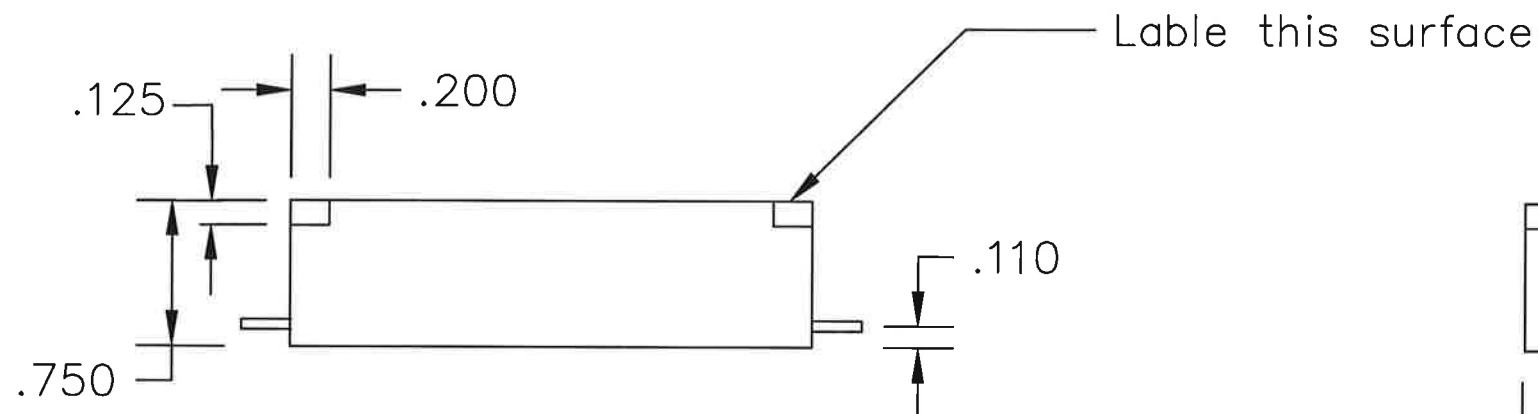
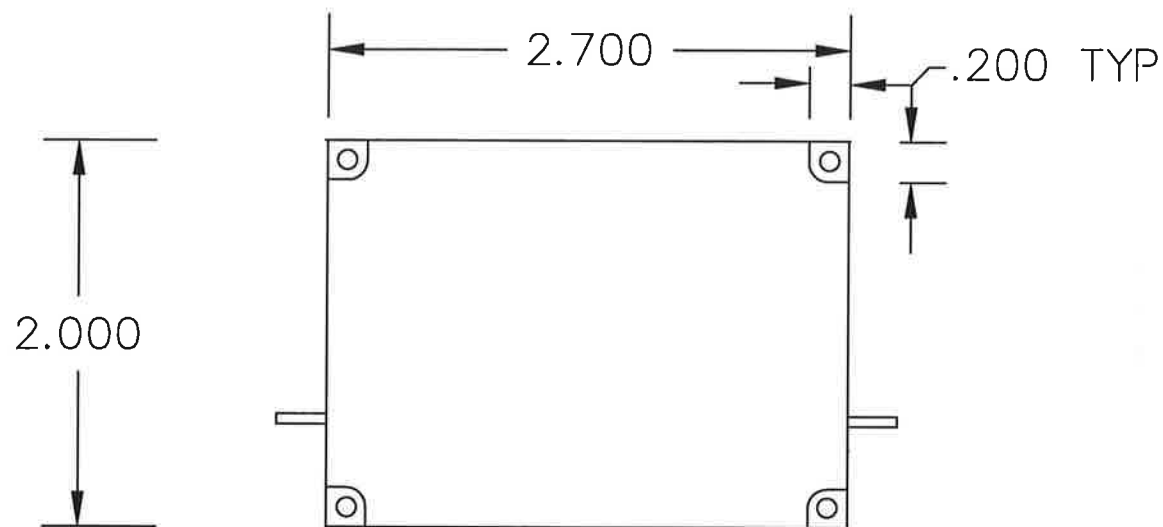
REV

4

1

REVISIONS

REV	DESCRIPTION	DATE	APPROVED
1	Chg Mounting Holes	12/19/01	BE
2	Chg I/O Location	1/2/02	BE
3	Chg Pin length to .125	3/19/04	BE
4	Chg mount. dist. to 2.456	12/12/07	<i>[Signature]</i>



THE INFORMATION CONTAINED IN THIS DRAWING IS THE SOLE PROPERTY OF BREE ENGINEERING. ANY REPRODUCTION IN PART OR WHOLE WITHOUT THE WRITTEN PERMISSION OF BREE ENGINEERING IS PROHIBITED.

UNLESS OTHERWISE SPECIFIED
DIMENSIONS ARE IN INCHES
& TOLERANCES ARE:
.XXX .XX ANGLES
±.005 ±.01

CAD GENERATED DRAWING
DO NOT MANUALLY UPDATE

BE BREE ENGINEERING

DWN	LN	DATE
CHK	BE	12/17/01
RESP	ENG	12/18/01
MFG	ENG	

OUTLINE

FINISH
Silver

Scale for
REFERENCE ONLY

SIZE	CAGE CODE	DWG NO	REV
B	1K3H5	700074	4
SCALE	N/A	SHEET 1 OF 1	

4

3

2

1

B

B

A

A