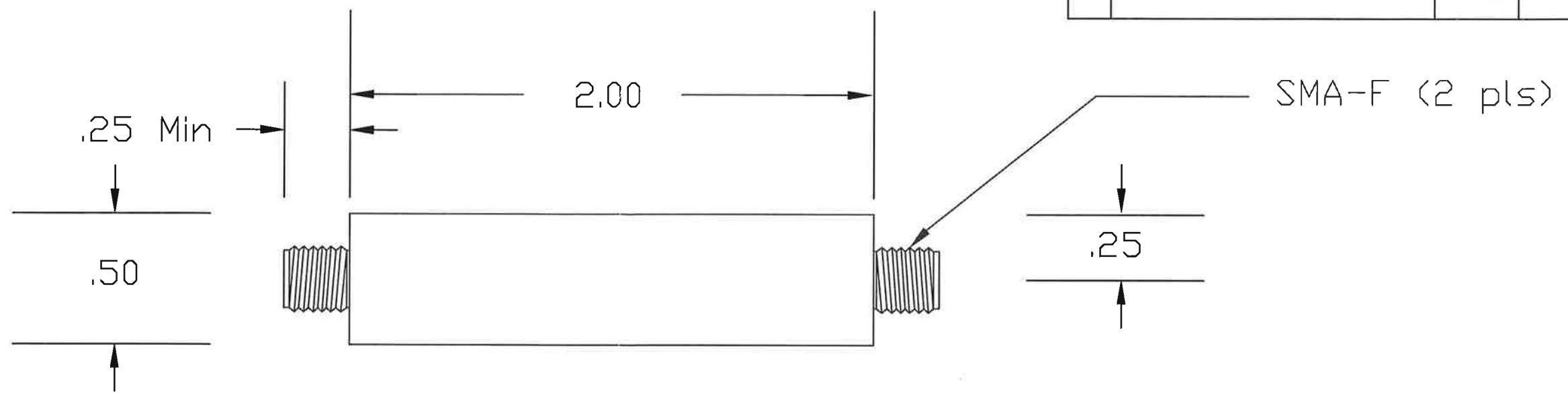


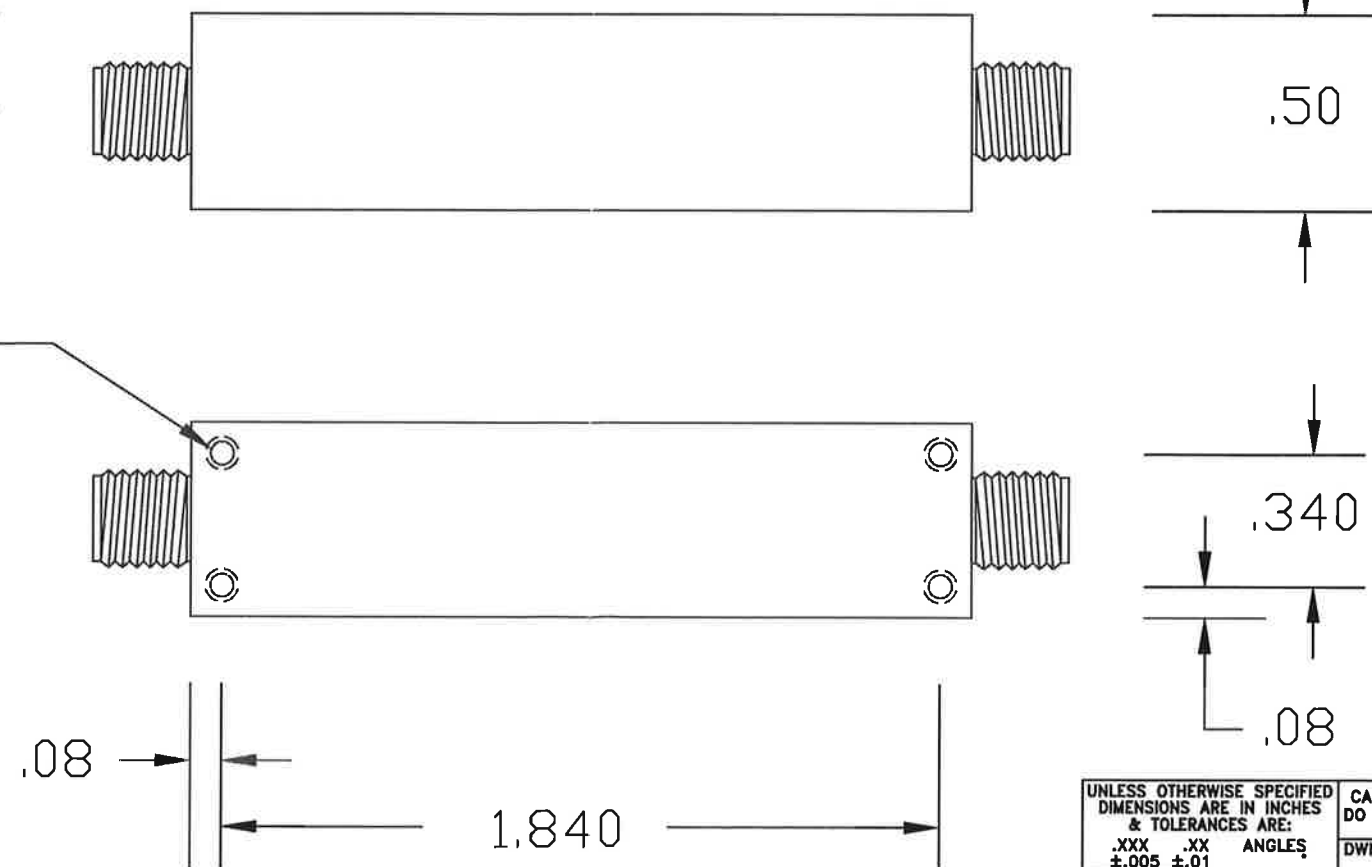
REVISIONS			
REV	DESCRIPTION	DATE	APPROVED

B



A

0-80 UNF x .180 dp (4 pls)



THE INFORMATION CONTAINED IN THIS DRAWING IS THE SOLE PROPERTY OF BREE ENGINEERING. ANY REPRODUCTION IN PART OR WHOLE WITHOUT THE WRITTEN PERMISSION OF BREE ENGINEERING IS PROHIBITED.

UNLESS OTHERWISE SPECIFIED DIMENSIONS ARE IN INCHES & TOLERANCES ARE: .XXX ±.005 .XX ±.01 ANGLES		CAD GENERATED DRAWING DO NOT MANUALLY UPDATE		BEE BREE ENGINEERING	
MATERIAL		DWN LN	DATE	OUTLINE	
FINISH PAINT		CHK	8-28-02		
		RESP ENG	FE 8.28.02		
		MFG ENG			
		QUAL ENG		SIZE	CAGE CODE
		Scale for REFERENCE ONLY		B	1K3H5
				DWG NO	700079
				REV	-
				SCALE TBD	SHEET 1 OF 1