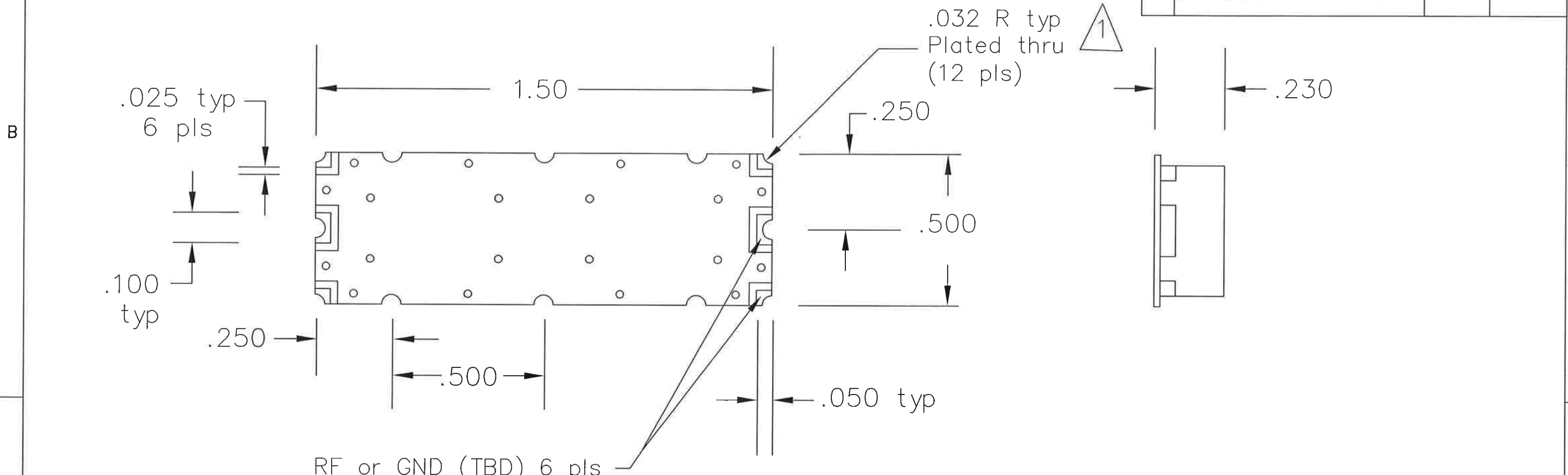
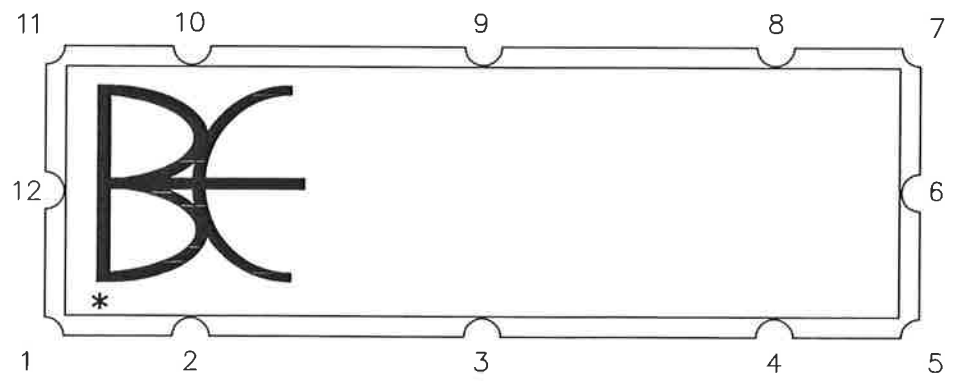


REVISIONS			
REV	DESCRIPTION	DATE	APPROVED
1	Add scaling	1/14/13	<i>B</i>




RF or GND (TBD) 6 pls



CONTACT I/O
(Top View)

 Location of plated thru holes are to be held at $\pm .005$

THE INFORMATION CONTAINED IN THIS DRAWING IS THE SOLE PROPERTY OF BREE ENGINEERING. ANY REPRODUCTION IN PART OR WHOLE WITHOUT THE WRITTEN PERMISSION OF BREE ENGINEERING IS PROHIBITED.

UNLESS OTHERWISE SPECIFIED DIMENSIONS ARE IN INCHES & TOLERANCES ARE: .XXX .XX ANGLES $\pm .005 \pm .01$	CAD GENERATED DRAWING DO NOT MANUALLY UPDATE		 BREE ENGINEERING
	DWN LN	DATE	
	CHK BE	10/22/02	
MATERIAL Nelco 4000-13-EP	RESP ENG	MFG ENG	OUTLINE
FINISH Nickel	QUAL ENG	Scale 3:1	
SIZE B	CAGE CODE 1K3H5	DWG NO 700088	
SCALE TBD			SHEET 1 OF 1