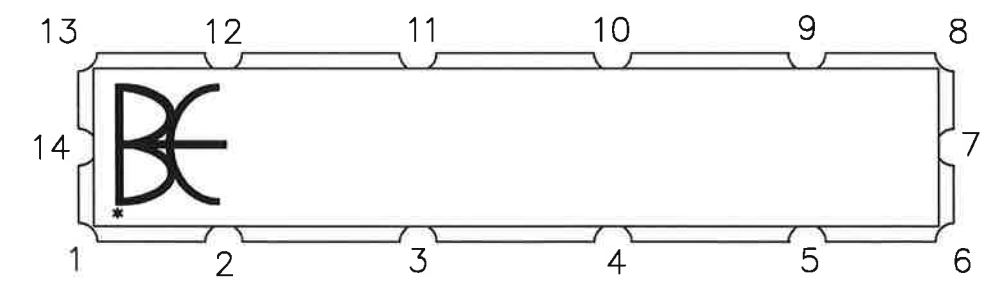
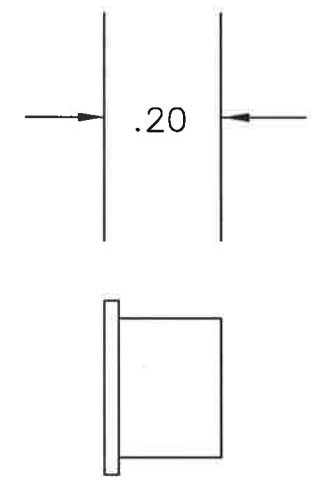
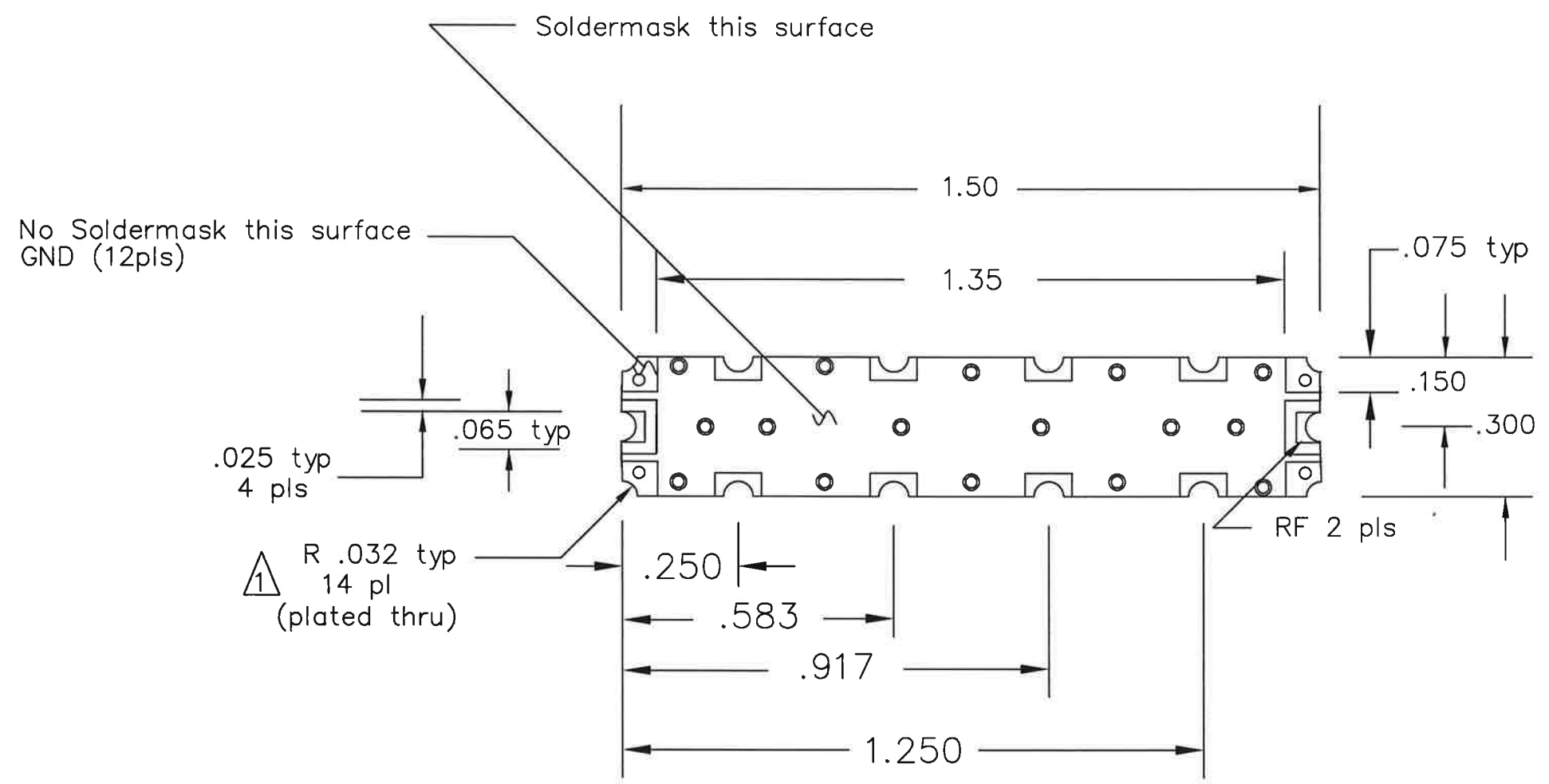


REVISIONS			
REV	DESCRIPTION	DATE	APPROVED
1	Add castillations	3/6/12	BE
2	Change Height	1/5/15	LN
3	Change Height tolerance	10/14/16	<i>LN</i>



CONTACT I/O
(top view)

① Location of plated thru holes are to be held at ± 0.005

THE INFORMATION CONTAINED IN THIS DRAWING IS THE SOLE PROPERTY OF BREE ENGINEERING. ANY REPRODUCTION IN PART OR WHOLE WITHOUT THE WRITTEN PERMISSION OF BREE ENGINEERING IS PROHIBITED.

UNLESS OTHERWISE SPECIFIED DIMENSIONS ARE IN INCHES & TOLERANCES ARE: .XXX .XX ANGLES ± 0.005 ± 0.01	CAD GENERATED DRAWING DO NOT MANUALLY UPDATE		BEE BREE ENGINEERING
	DWN LN	DATE 11/11/11	
MATERIAL Nelco 4000-13-EP 1/4 TO 1/2 HD 770 .010 THK	CHK BE	DATE 11/11/11	OUTLINE
	RESP ENG		
	MFG ENG		
	QUAL ENG		
Scale for REFERENCE ONLY			
	SIZE CAGE CODE B 1K3H5	DWG NO 700196	REV 3
	SCALE N/A		SHEET 1 OF 1