

4

3

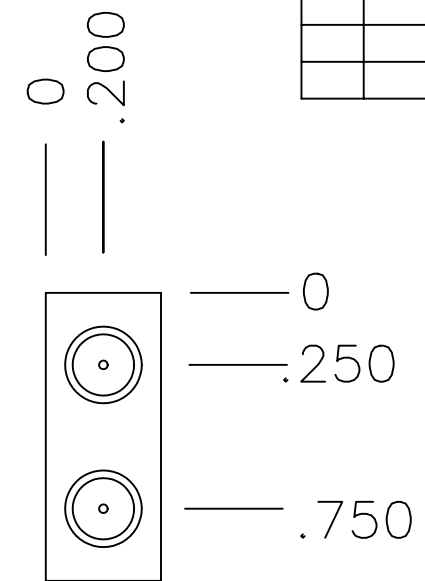
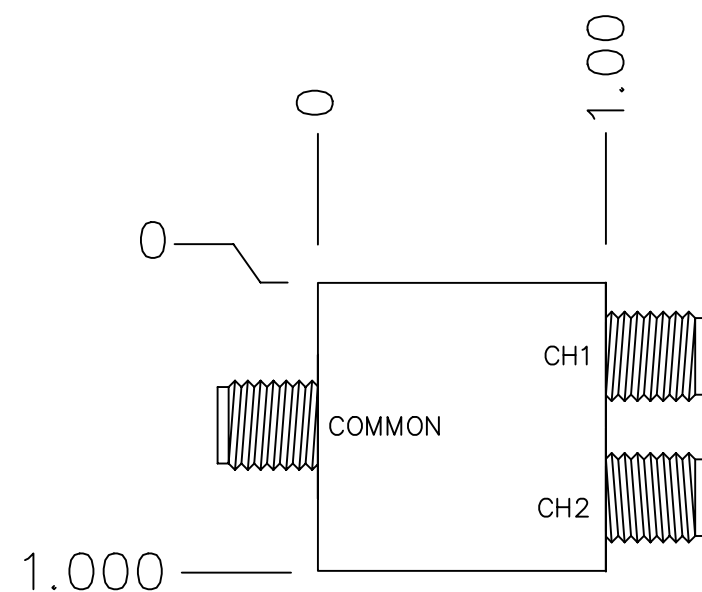
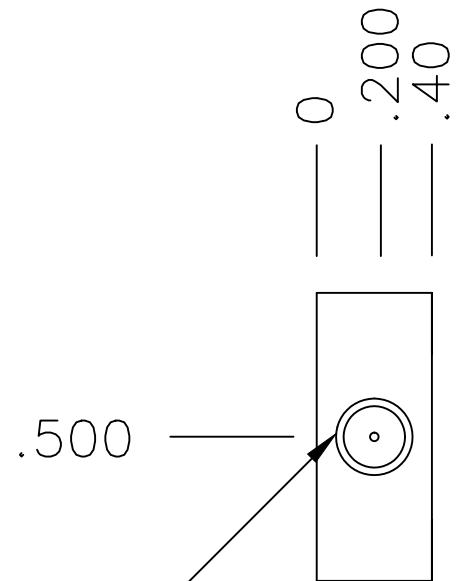
2

CAGEC 1K3H5 DWG NO 700151 SH REV 1

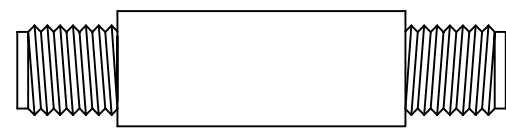
| REVISIONS |             |      |          |
|-----------|-------------|------|----------|
| REV       | DESCRIPTION | DATE | APPROVED |
|           |             |      |          |
|           |             |      |          |
|           |             |      |          |
|           |             |      |          |

B

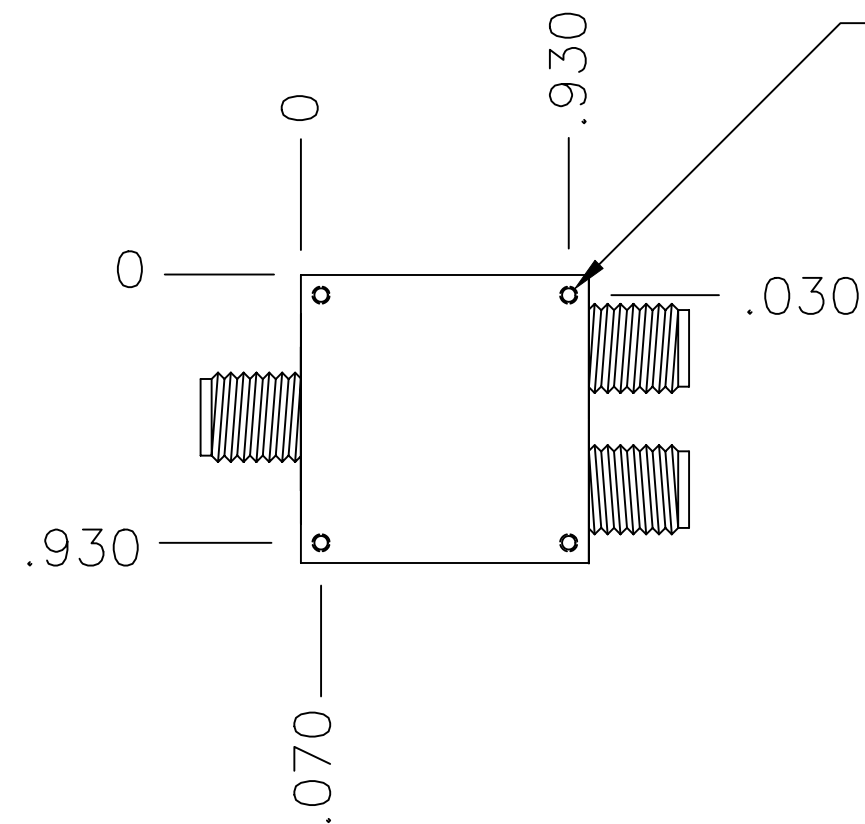
B



SMA-F typ (3 pls)



0-80 UNF x .125 dp min (4 pls)



A

A

THE INFORMATION CONTAINED IN THIS DRAWING IS THE SOLE PROPERTY OF BREE ENGINEERING. ANY REPRODUCTION IN PART OR WHOLE WITHOUT THE WRITTEN PERMISSION OF BREE ENGINEERING IS PROHIBITED.

|  |  |              |   |
|--|--|--------------|---|
| UNLESS OTHERWISE SPECIFIED DIMENSIONS ARE IN INCHES & TOLERANCES ARE:<br>.XXX .XX ANGLES<br>±.005 ±.01 | CAD GENERATED DRAWING DO NOT MANUALLY UPDATE |              | BEE BREE ENGINEERING                          |
|  | DWN LN                                       | DATE 4/17/07 |   |
| MATERIAL   | CHK  |              | OUTLINE                                       |
|  | RESP ENG                                     |              |   |
|  | MFG ENG                                      |              |   |
|  | QUAL ENG                                     |              |   |
| FINISH<br>Nickel<br>QQ-N-290A<br>Class 2, Grade F  | Scale for REFERENCE ONLY                     |              | SIZE CAGE CODE DWG NO REV<br>B 1K3H5 700151 - |
|  | SCALE TBD                                    |              | SHEET 1 OF 2                                  |

4

3

2

1