

4

3

2

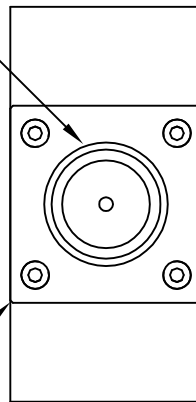
CAGEC 1K3H5 DWG NO 700233 SH 1 REV 1

1

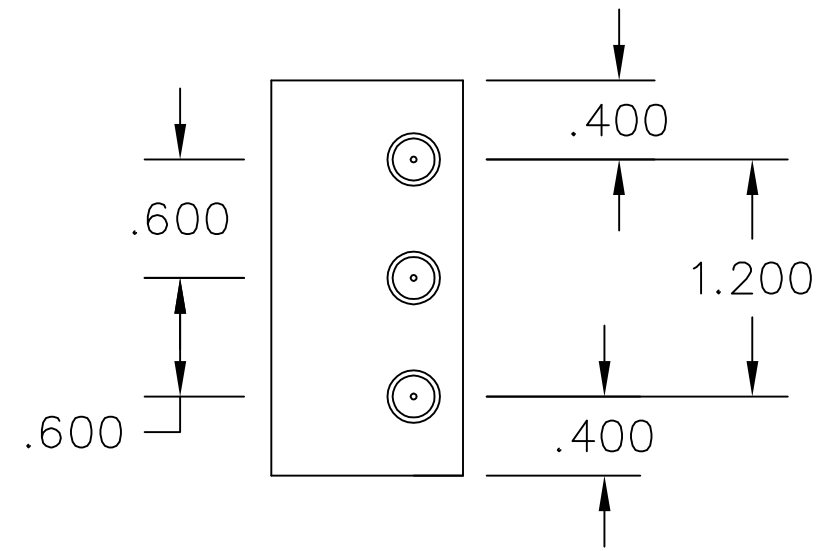
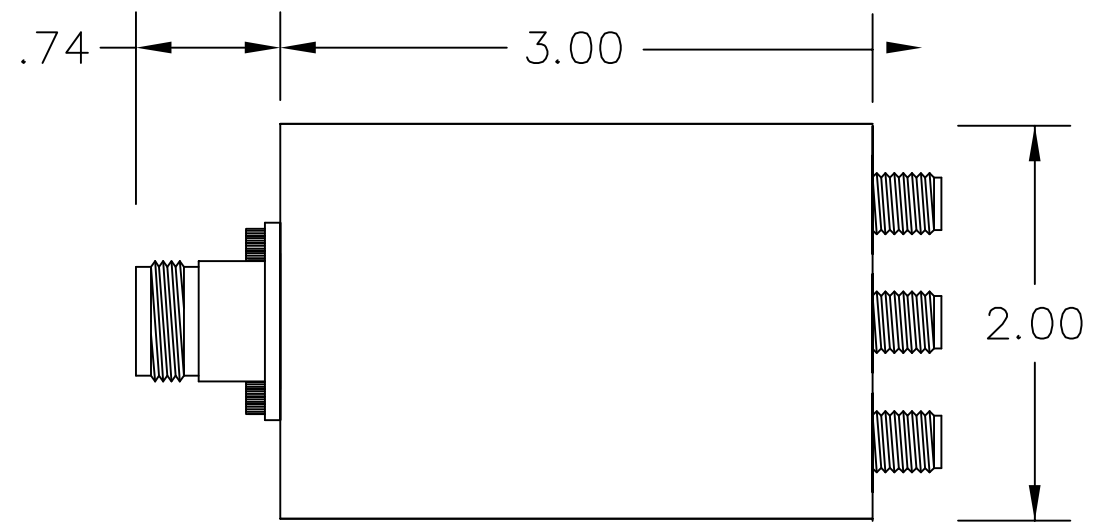
REVISIONS			
REV	DESCRIPTION	DATE	APPROVED
1	change sma location	2/14/14	

B

Type N-Female

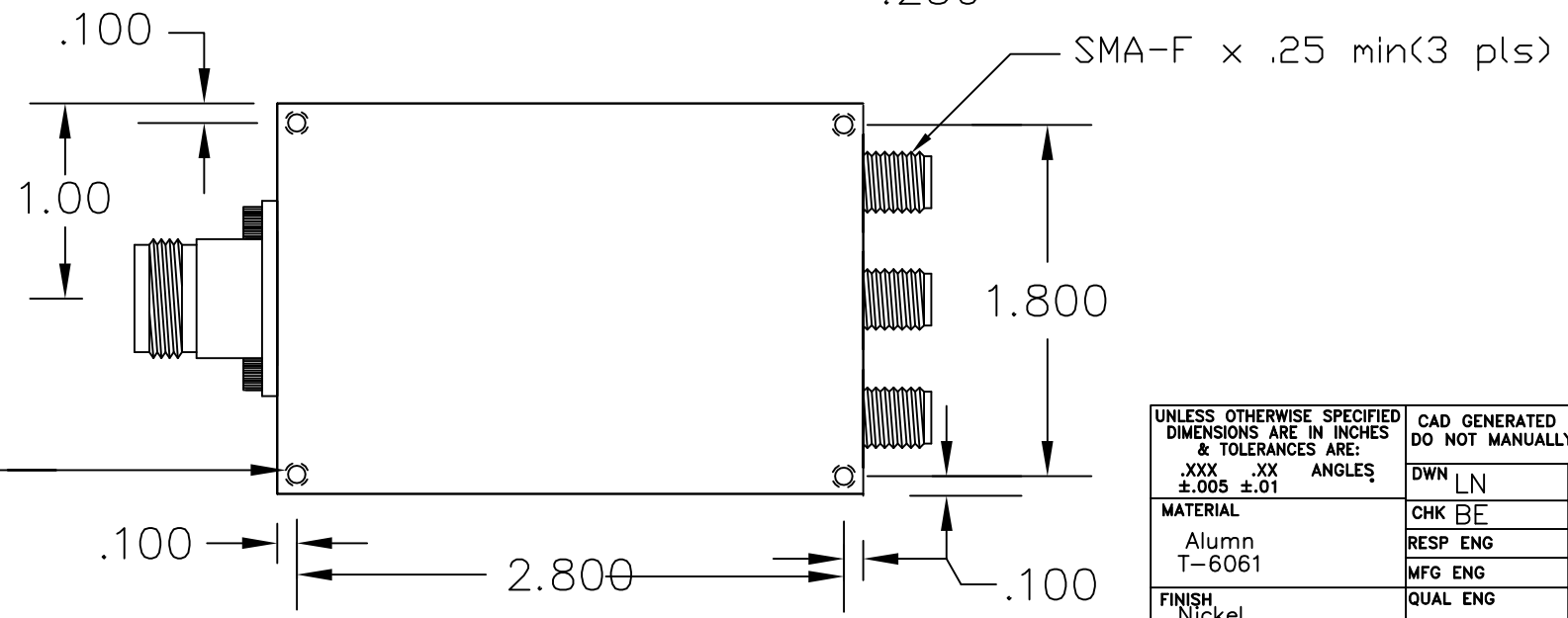
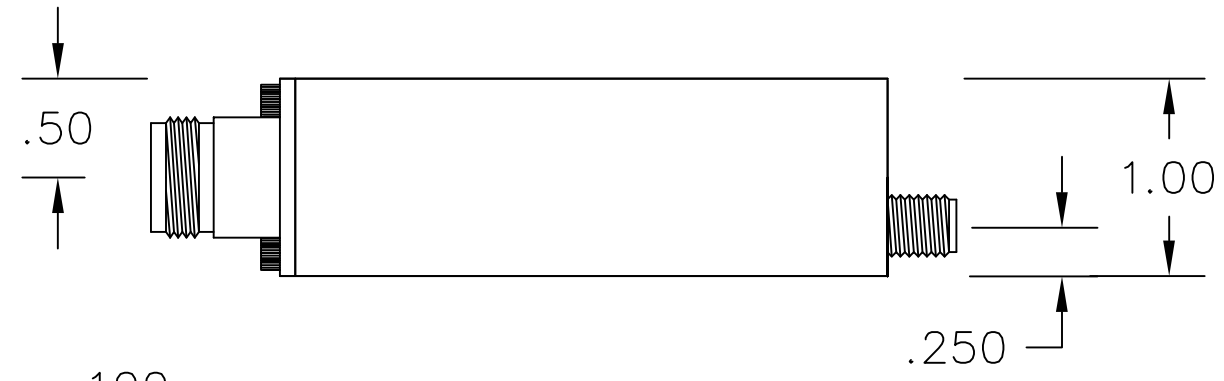


.020 chamfer @45 deg (4pls)entire length of part



B

A



A

UNLESS OTHERWISE SPECIFIED DIMENSIONS ARE IN INCHES & TOLERANCES ARE: .XXX .XX ANGLES ±.005 ±.01	CAD GENERATED DRAWING DO NOT MANUALLY UPDATE		BEE BREE ENGINEERING	
	DWN LN	DATE 2/12/14	<h1>OUTLINE</h1>	
	CHK BE	2/12/14		
	RESP ENG			
MATERIAL Alum T-6061	MFG ENG		SIZE B CAGE CODE 1K3H5 SCALE TBD	DWG NO 700233 REV 1 SHEET 1 OF 1
FINISH Nickel QQ-N-290A Class 2, Grade F	QUAL ENG Scale for REFERENCE ONLY			

THE INFORMATION CONTAINED IN THIS DRAWING IS THE SOLE PROPERTY OF BREE ENGINEERING. ANY REPRODUCTION IN PART OR WHOLE WITHOUT THE WRITTEN PERMISSION OF BREE ENGINEERING IS PROHIBITED.

4

3

2

1