

4

3

2

CAGEC  
1K3H5

DWG NO  
700232

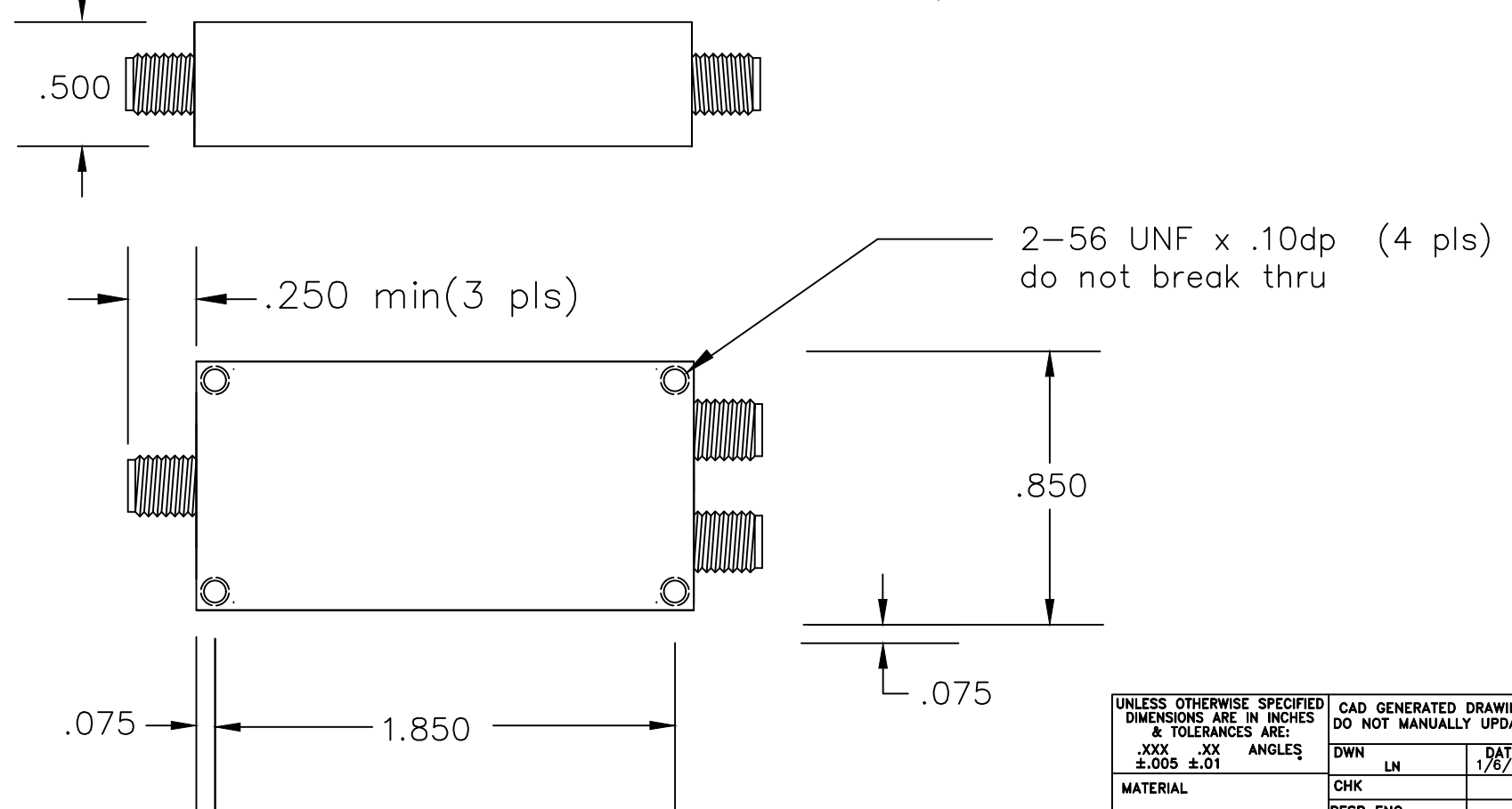
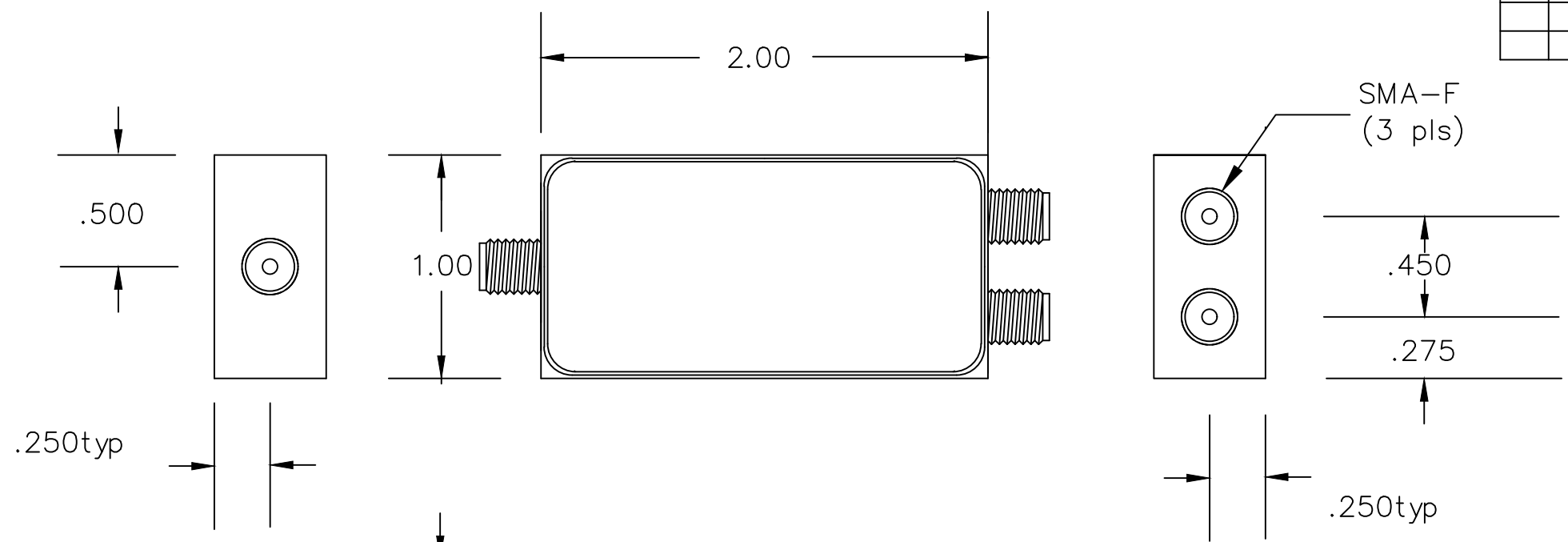
SH  
—

REV  
—

1

REVISIONS

REV	DESCRIPTION	DATE	APPROVED



B

B

A

A

THE INFORMATION CONTAINED IN THIS DRAWING IS THE SOLE PROPERTY OF BREE ENGINEERING. ANY REPRODUCTION IN PART OR WHOLE WITHOUT THE WRITTEN PERMISSION OF BREE ENGINEERING IS PROHIBITED.

UNLESS OTHERWISE SPECIFIED DIMENSIONS ARE IN INCHES & TOLERANCES ARE:  
.XXX .XX ANGLES  
±.005 ±.01

CAD GENERATED DRAWING DO NOT MANUALLY UPDATE

BREE ENGINEERING

MATERIAL  
Alumn

DWN LN DATE  
1/8/14

CHK  
RESP ENG  
MFG ENG

OUTLINE

FINISH  
Nickel  
QQ-N-290A  
Class 2, Grade F

QUAL ENG  
Scale for  
REFERENCE ONLY

SIZE	CAGE CODE	DWG NO	REV
B	1K3H5	700232	—
SCALE	N/A		SHEET 1 OF 1

4

3

2

1