

4

3

2

CAGEC
1K3H5

DWG NO
700093

SH
-

REV
-

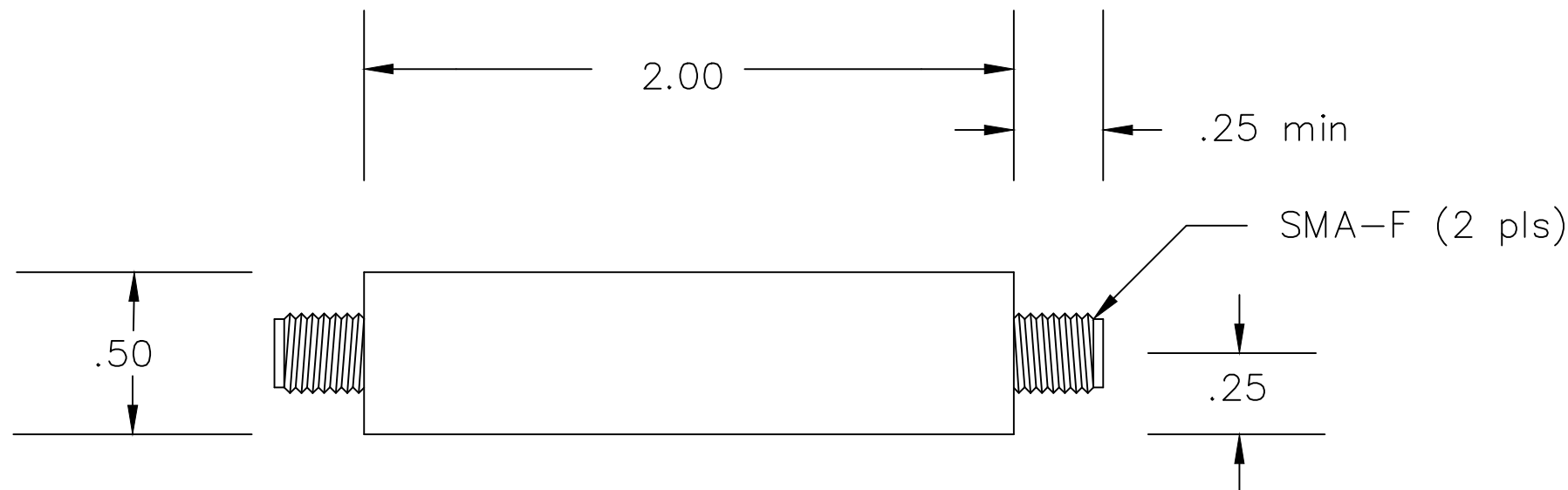
1

REVISIONS

REV	DESCRIPTION	DATE	APPROVED

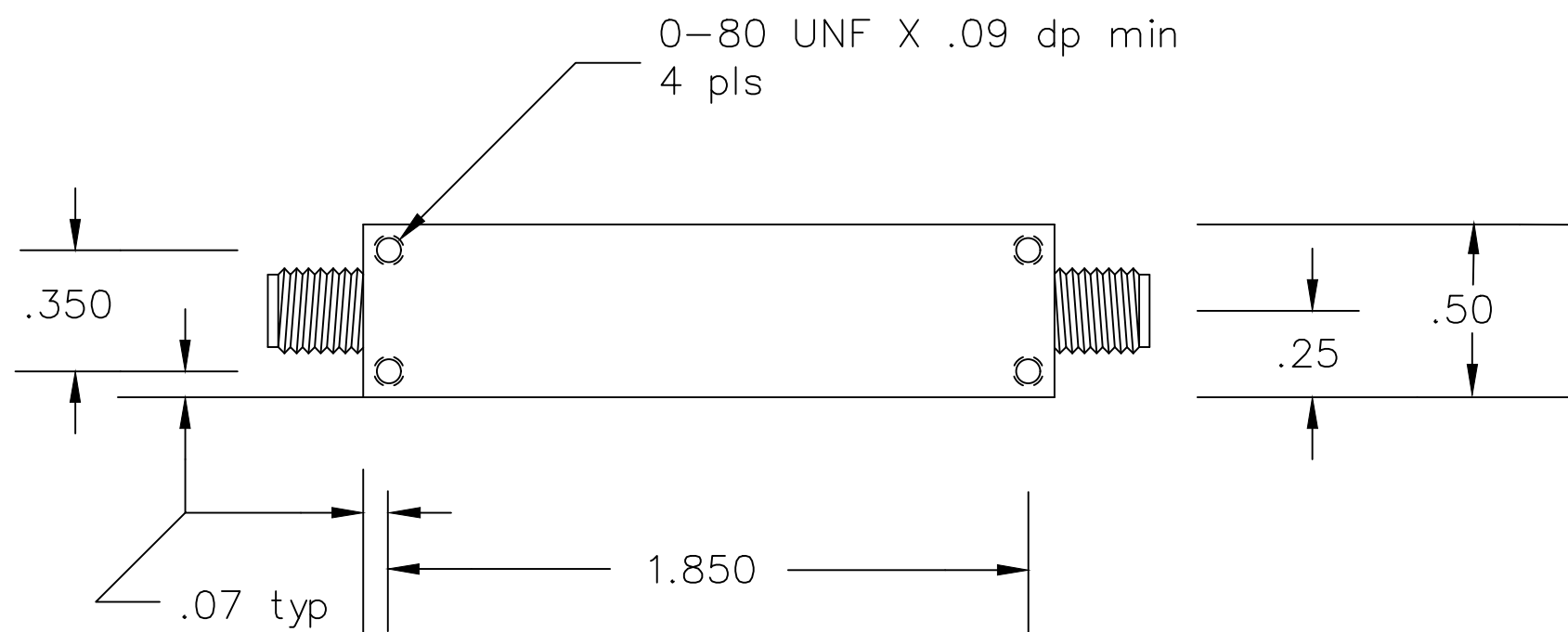
B

B



A

A



THE INFORMATION CONTAINED IN THIS DRAWING IS THE SOLE PROPERTY OF BREE ENGINEERING. ANY REPRODUCTION IN PART OR WHOLE WITHOUT THE WRITTEN PERMISSION OF BREE ENGINEERING IS PROHIBITED.

UNLESS OTHERWISE SPECIFIED
DIMENSIONS ARE IN INCHES
& TOLERANCES ARE:
.XXX .XX ANGLES
±.005 ±.01

MATERIAL
Alum

FINISH Nickel
QQ-N-290A
Class 2, Grade F

CAD GENERATED DRAWING
DO NOT MANUALLY UPDATE

DWN	LN	DATE
		5/8/03
CHK		
RESP ENG		
MFG ENG		
QUAL ENG		

Scale for
REFERENCE ONLY

B BREE ENGINEERING

OUTLINE

SIZE	CAGE CODE	DWG NO	REV
B	1K3H5	700093	-
SCALE	N/A	SHEET 1 OF 1	

4

3

2

1