

4

3

2

CAGEC  
1K3H5

DWG NO  
700247

SH  
2

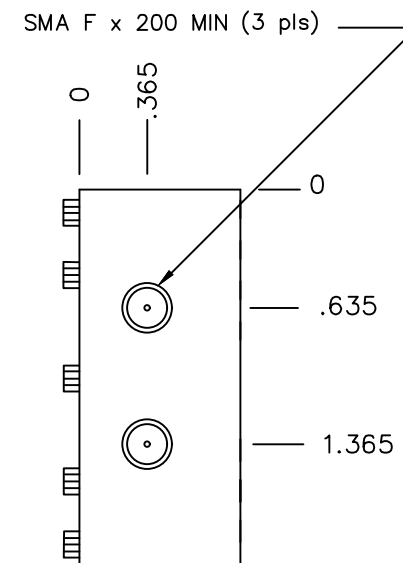
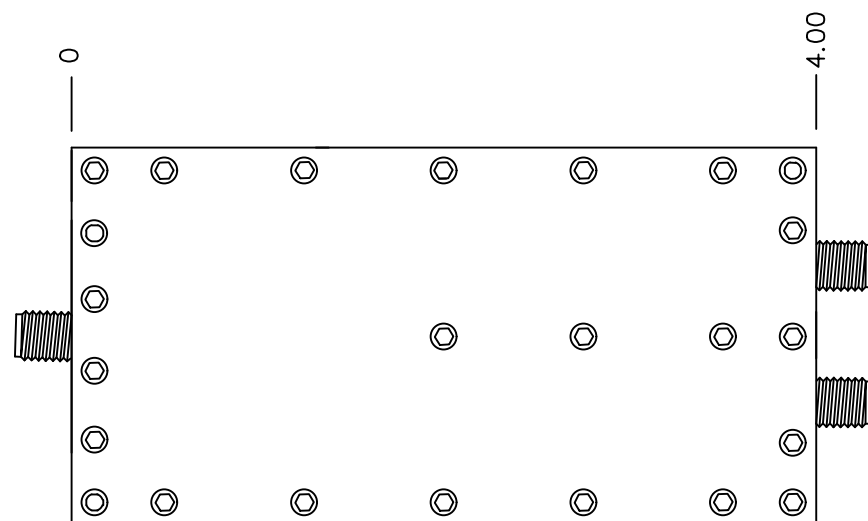
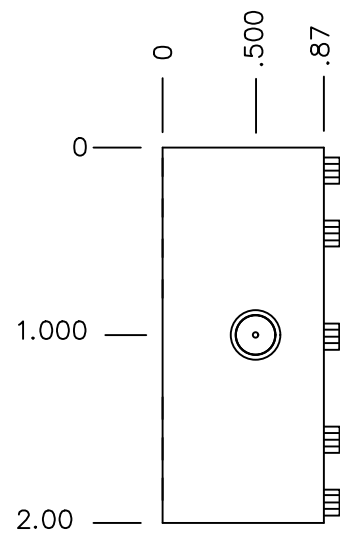
REV  
2

1

REVISIONS

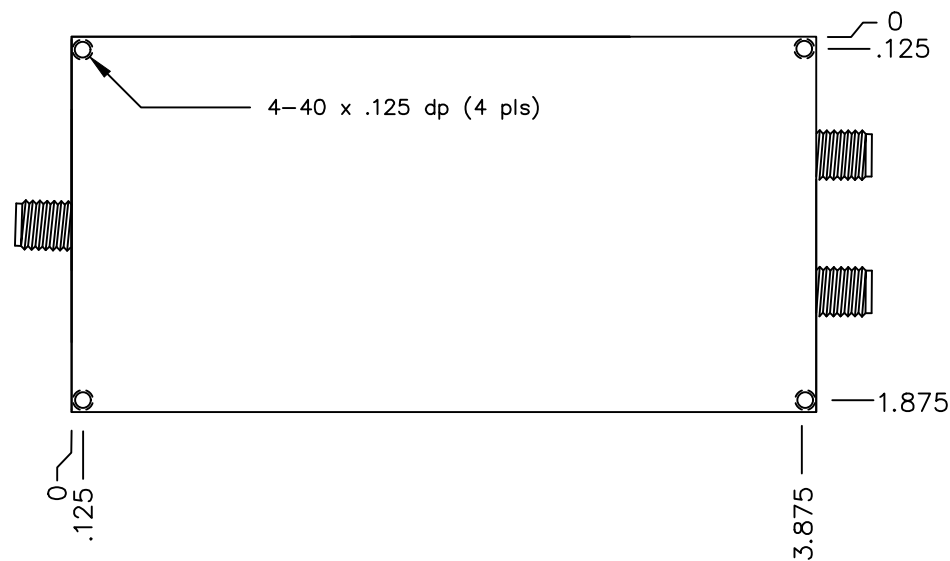
REV	DESCRIPTION	DATE	APPROVED
1	To correct tolerances	11/1/16	BE
2	ADDITIONAL COVER SCREWS	3/13/19	

B



B

A



A

THE INFORMATION CONTAINED IN THIS DRAWING IS THE SOLE PROPERTY OF BREE ENGINEERING. ANY REPRODUCTION IN PART OR WHOLE WITHOUT THE WRITTEN PERMISSION OF BREE ENGINEERING IS PROHIBITED.

UNLESS OTHERWISE SPECIFIED DIMENSIONS ARE IN INCHES & TOLERANCES ARE:  
.XXX .XX ANGLES  
±.005 ±.01

CAD GENERATED DRAWING DO NOT MANUALLY UPDATE

**BE** BREE ENGINEERING

MATERIAL  
Alumn

CHK  
RESP ENG  
MFG ENG

DATE  
1/12/15

OUTLINE

FINISH  
Nickel  
QQ-N-290A  
Class 2, Grade F

Scale for  
REFERENCE ONLY

SIZE  
**B** 1K3H5

CAGE CODE  
700247

DWG NO  
700247

REV  
2

SCALE TBD

SHEET 1 of 1

4

3

2

1